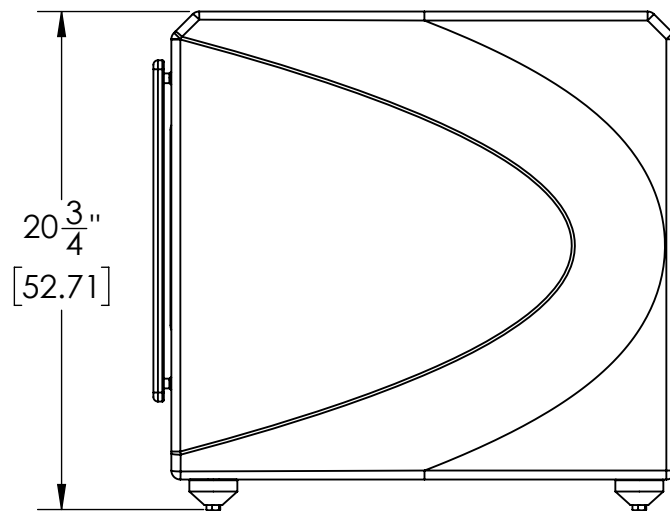
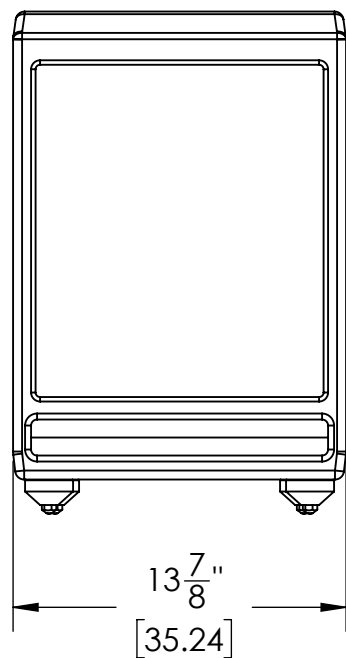
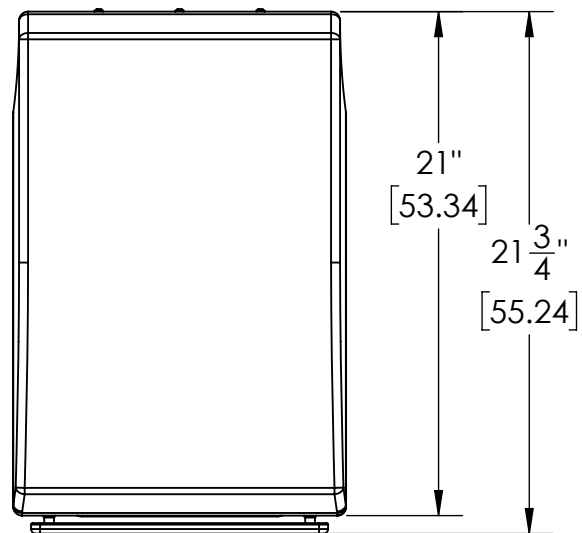


THE INFORMATION CONTAINED IN THIS DRAWING IS THE SOLE PROPERTY OF WILSON AUDIO SPECIALTIES. ANY REPRODUCTION IN PART OR WHOLE WITHOUT THE WRITTEN PERMISSION OF WILSON AUDIO SPECIALTIES IS PROHIBITED.

REVISIONS			
REV.	DESCRIPTION	DATE	APPROVED



UNLESS OTHERWISE SPECIFIED DIMENSIONS ARE IN INCHES TOLERANCES ARE: FRACTIONS DECIMALS ANGLES +- 1/128 .005 .05	CAD GENERATED DRAWING, DO NOT MANUALLY UPDATE		
	APPROVALS	DATE	
	DO NOT SCALE DRAWING	PRINTED	3/30/2021
	MATERIAL	CHECKED	
FINISH	MFG ENG		DWG. Name LoKe Dimensions
DATE CREATED Tuesday, March 30, 2021 12:40:44 PM	QUAL ENG		SIZE INVENTORY NO. REV.
	DRAWN BY BS		Scale 1:8 CAD FILE: LoKe_Model SHEET 1 OF 1