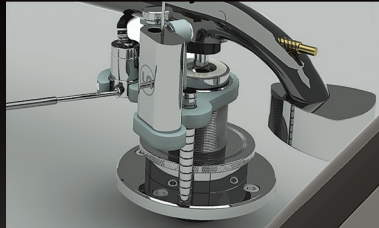
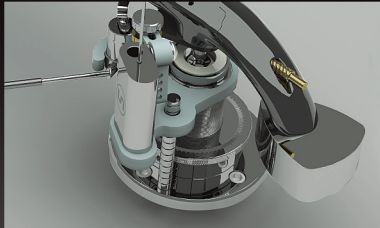




copperhead 

absolutely seductive!



Adjustable VTA

Low Mass Pivot design

Ultra Rigid Central Tower

ReShape™ Shape Optimised Wand

Precise Graduated Radial VTA Vernier Gauge

Small & Large Scale Cartridge Weight Adjustment

Unique Adjustable Azimuth Stabilised Bearing System



continuum
AUDIBLE SCIENCE

copperhead

absolutely seductive!

DERIVED USING THE SAME ADVANCED software and technology pioneered by Continuum to design and build the Cobra tonearm (*Stereophile 2006 Product of the Year Award*), the Copperhead joins our groundbreaking range of products.

Named after a rare, highly venomous Australian snake, the Copperhead's design is musical and remains uncoloured by spurious resonances.

The Copperhead's shape is refined and sleek, maintaining the signature free sound inherent in the Cobra design. The wand is eggshell thin with special contours and compound curves to "shape" the resonant behaviour of the arm, only visible with specialized software tools, but clearly audible to experienced listeners.

The Copperhead presents an opportunity for everyone to access the most advanced arm technology available on the market today. No other competitively priced tonearm comes close to the sonic reality of the Copperhead.

The time is right for you to experience the Copperhead difference!

COPPERHEAD TONEARM

Dual-pivot tonearm with monocoque construction.

VTA and azimuth adjustable. Offset: 23°.

Horizontal and vertical resonant frequency with medium-compliance cartridges: ca 8-10Hz.

Cartridge weight range: 0-20gm.

Audio leads: 33AWG pure copper litz, 1.5m from cartridge clips to RCA plugs.

Other leads available as options.

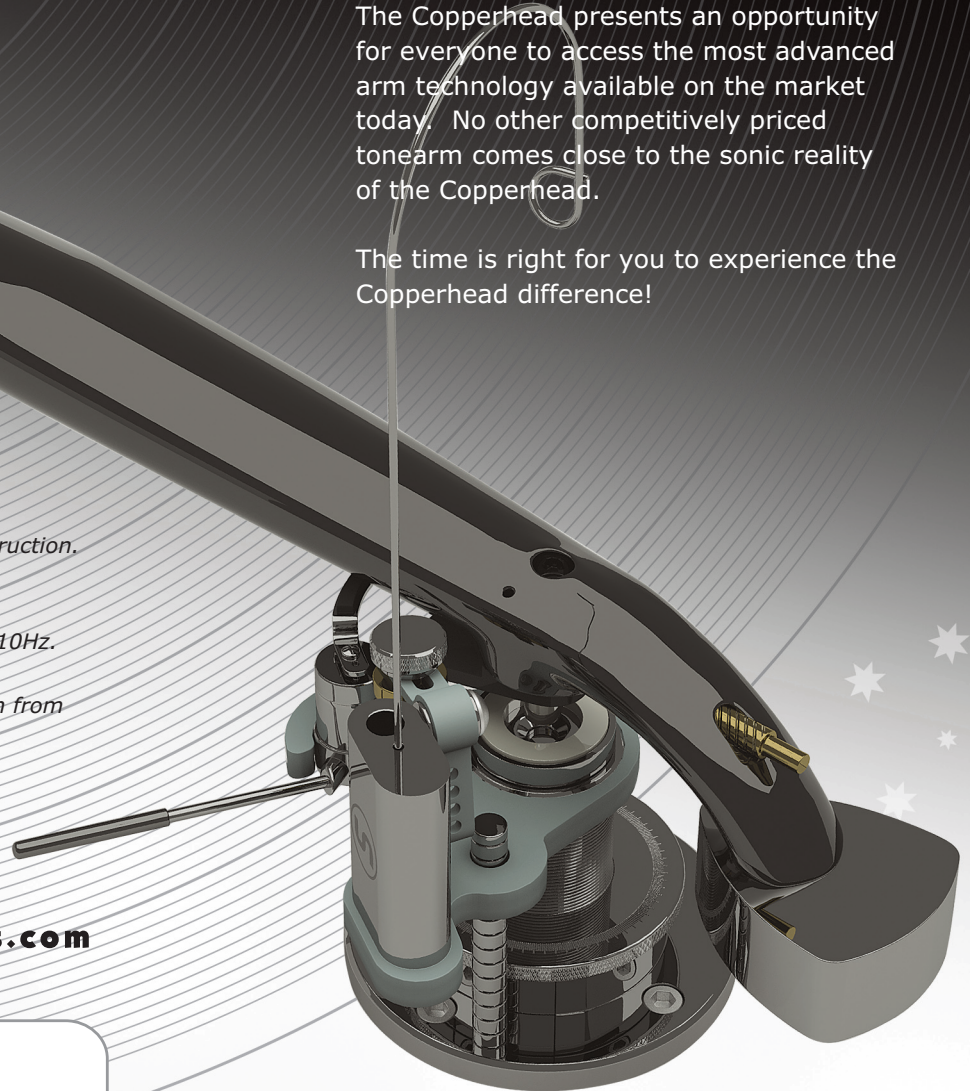
Effective length: 239mm.

Overhang: 17.3mm.

Weight: 1.2 lbs (500gms).

www.continuumaudiolabs.com

your Continuum dealer is...



continuum 
AUDIO LABORATORIES PTY LTD
33 Coventry Street Sth Melbourne
Victoria Australia 3205
P: 613 9207 8000 F: 613 9207 8088