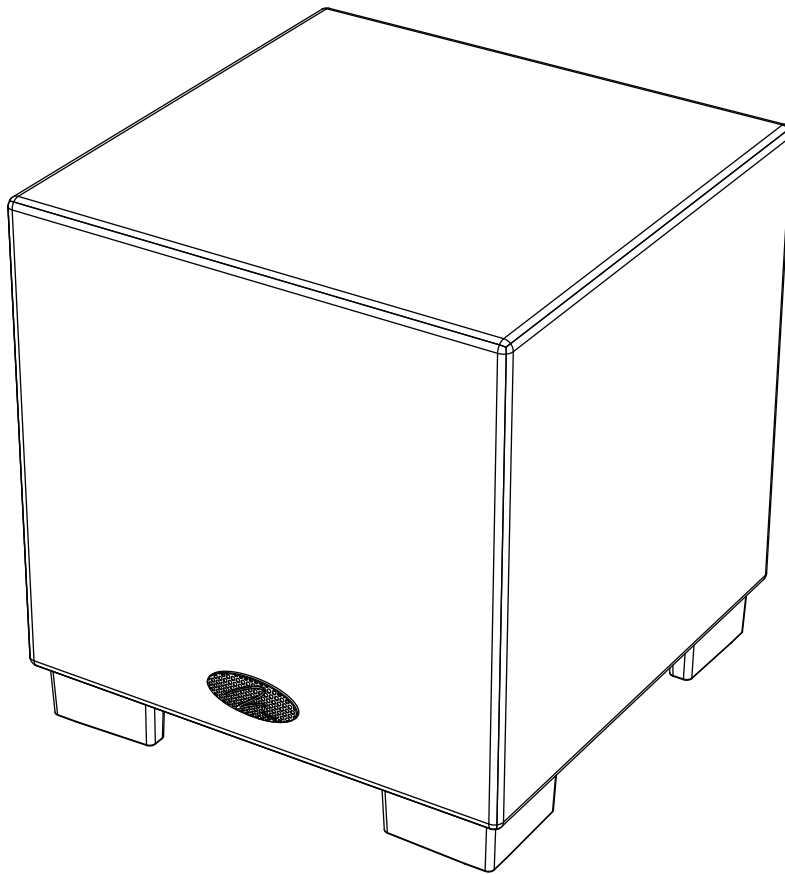
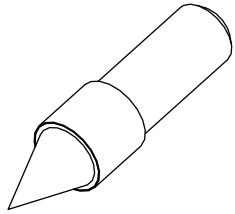


# D Y N A M O <sup>TM</sup> 1 0 0 0

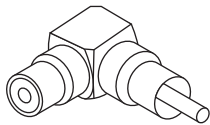


**MARTIN LOGAN**  
DESIGN SERIES

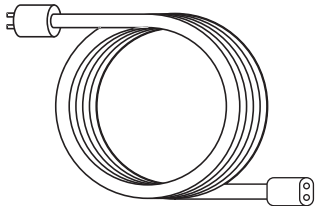
[www.MartinLogan.com](http://www.MartinLogan.com)



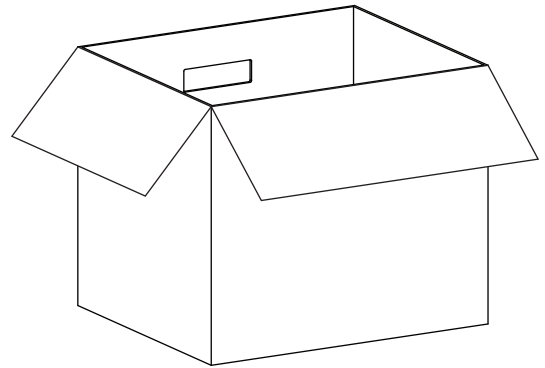
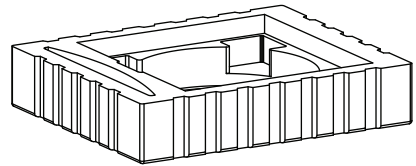
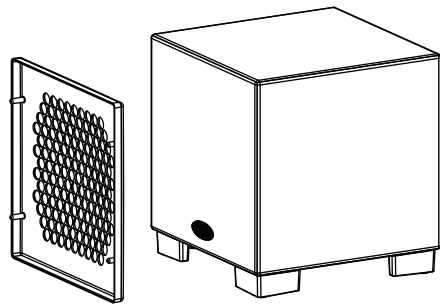
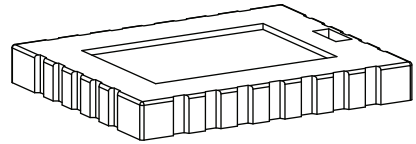
**x 4**

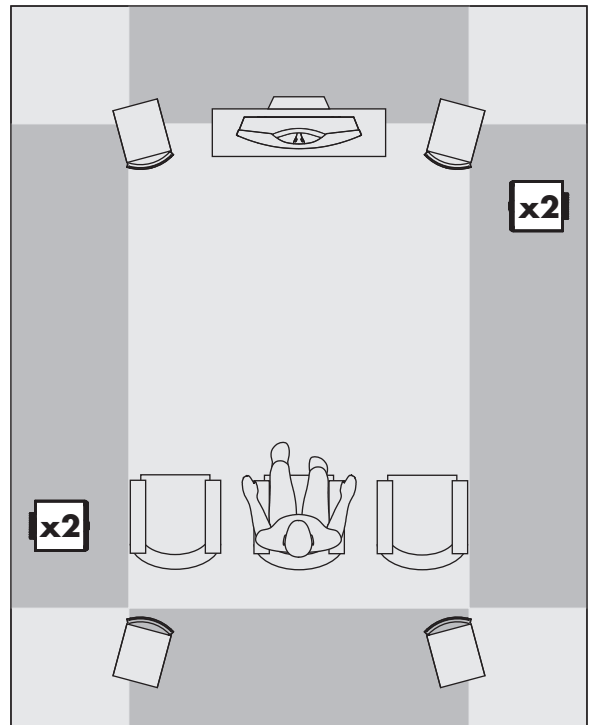
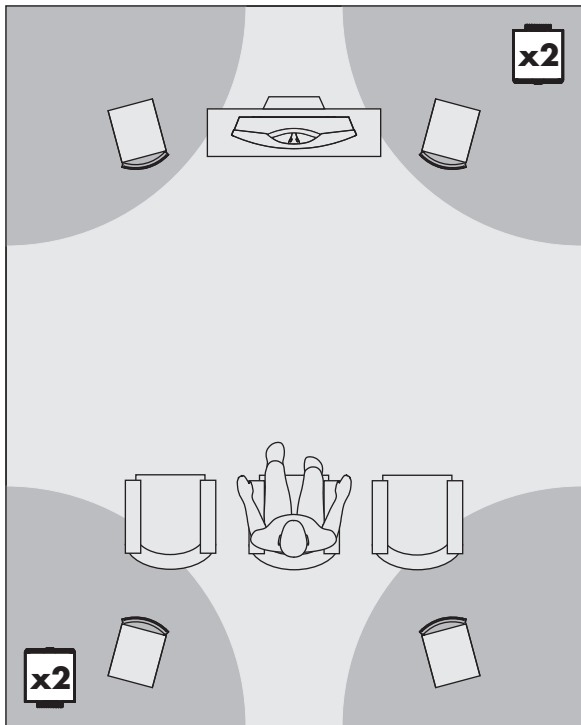
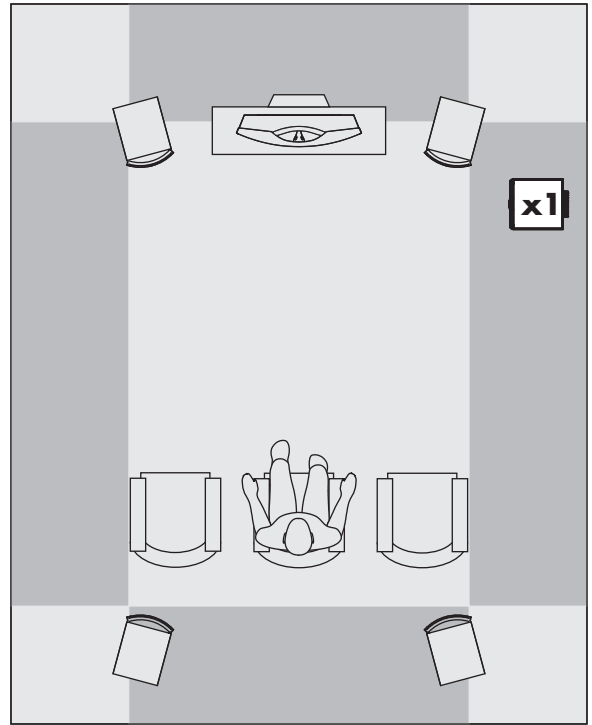
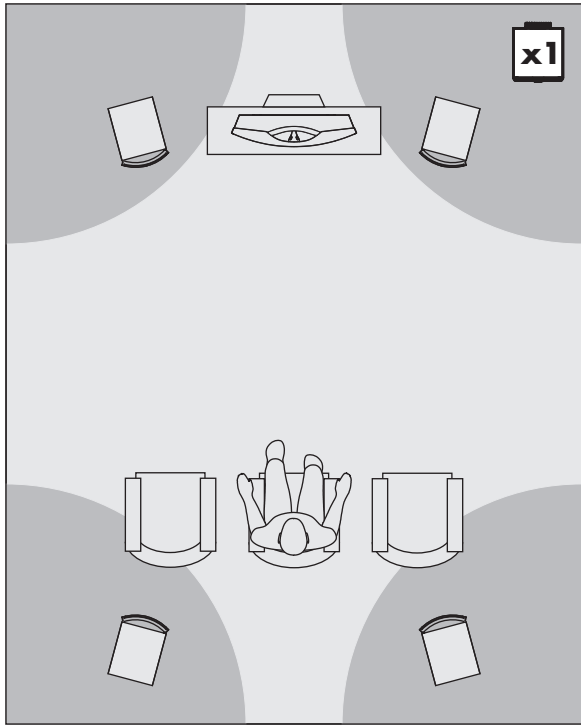


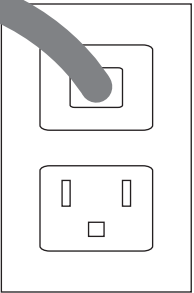
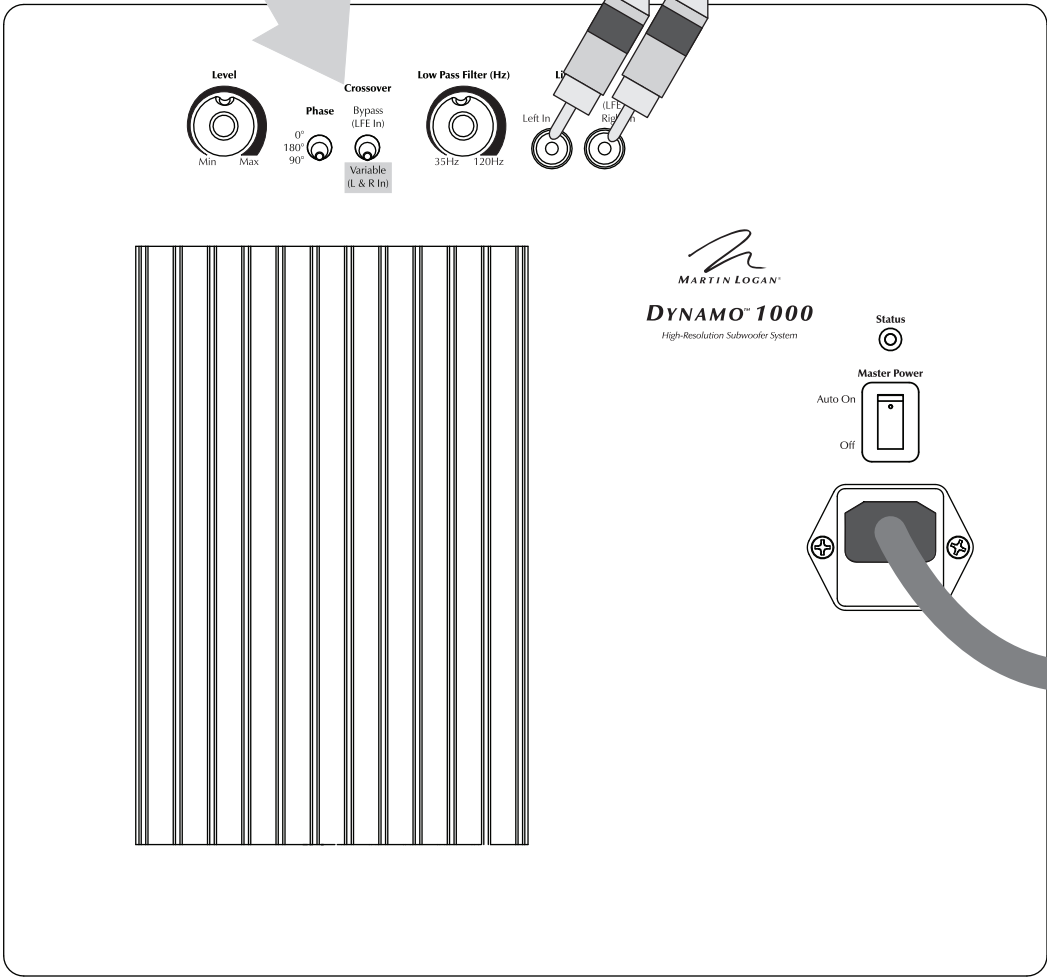
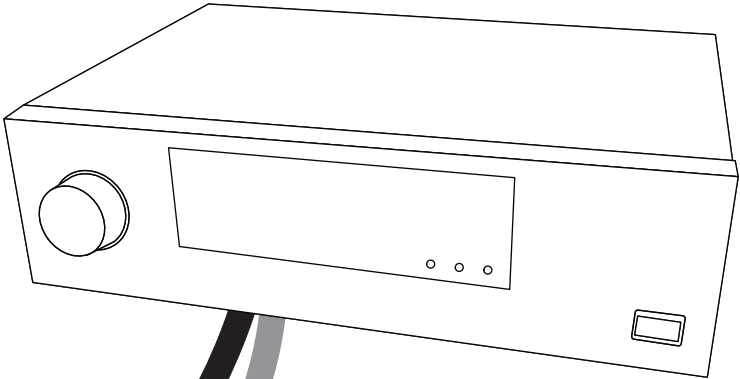
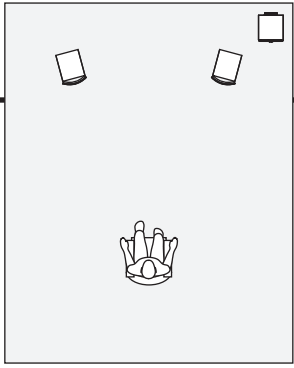
**x 2**

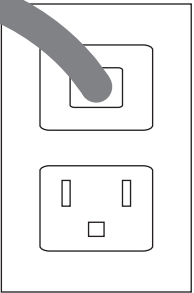
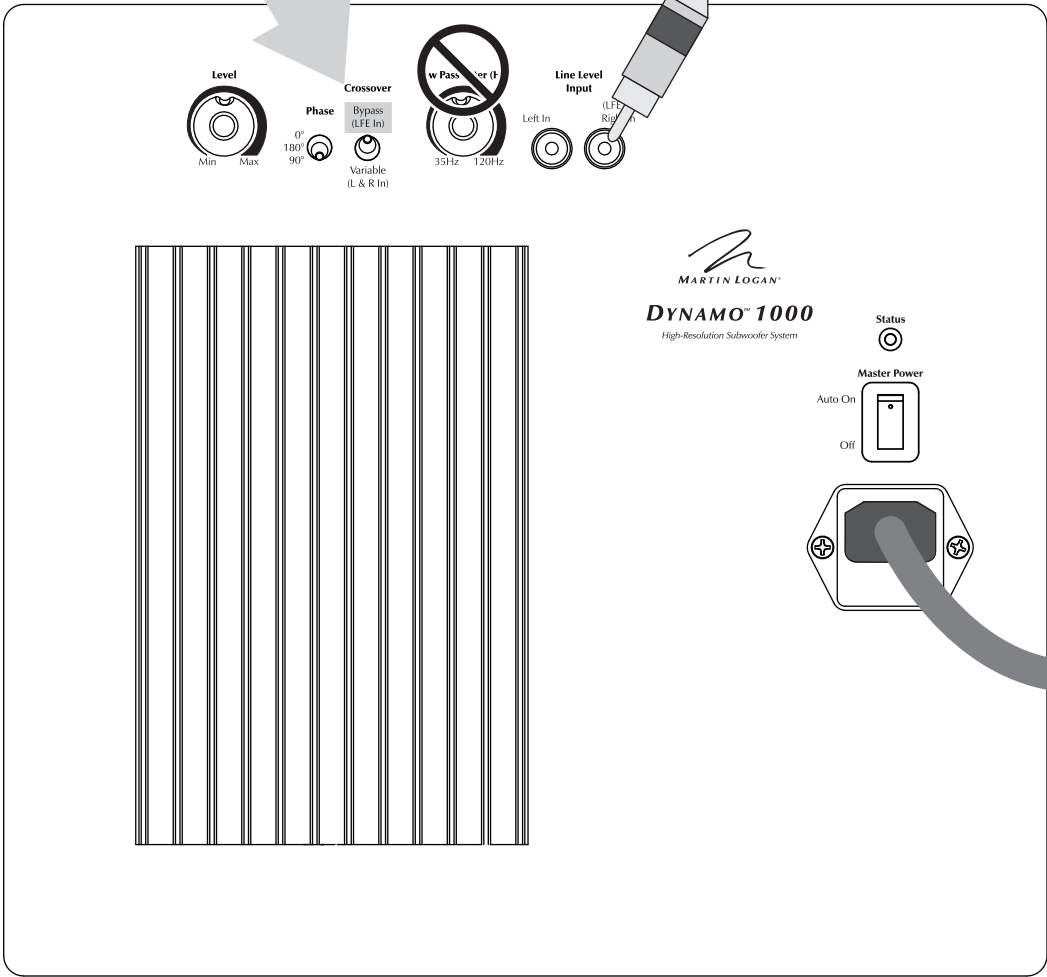
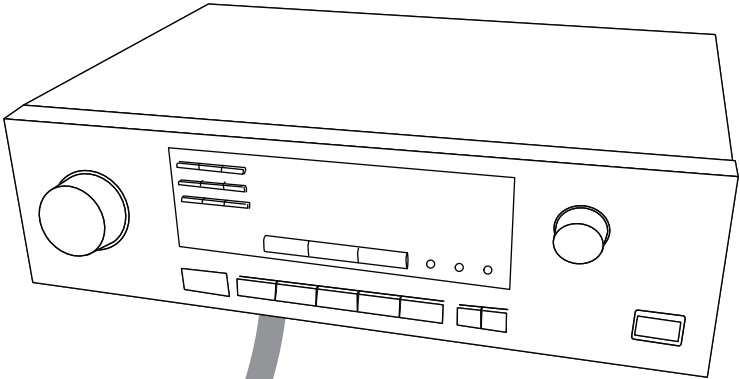
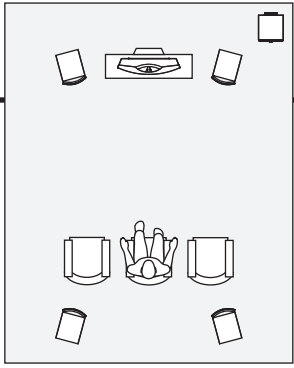


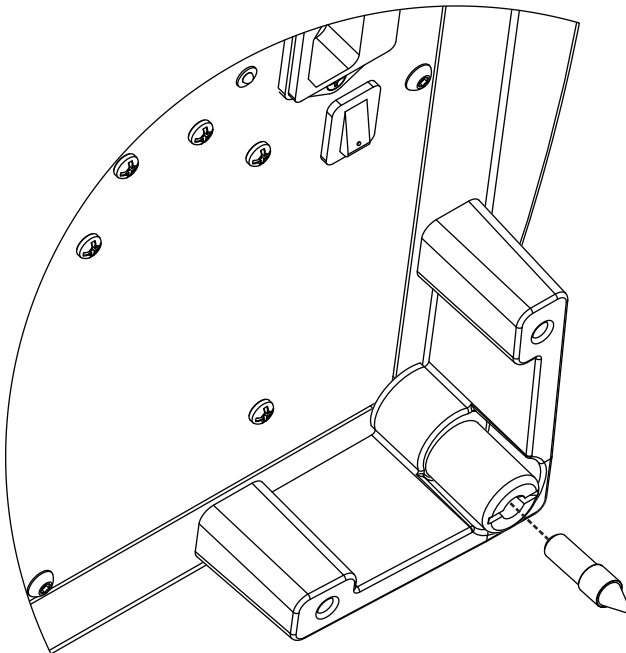
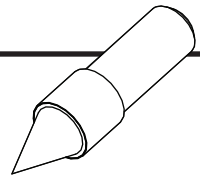
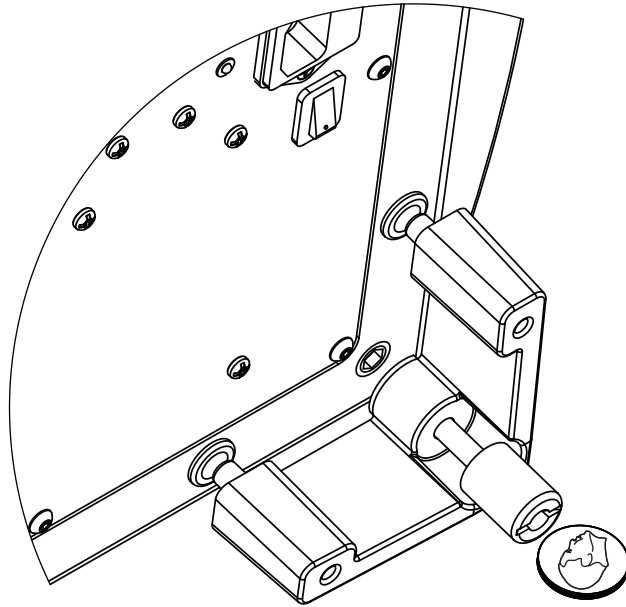
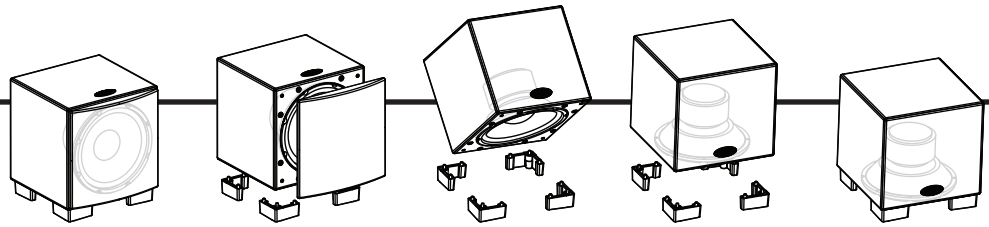
**x 1**

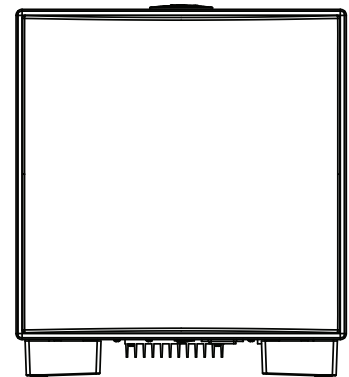
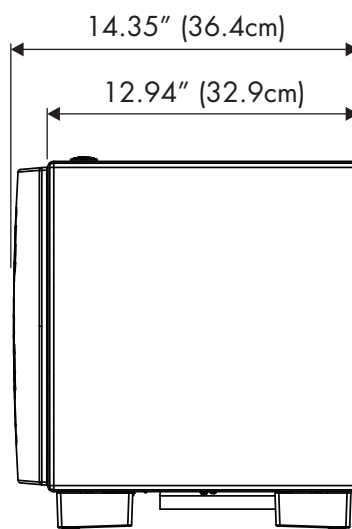
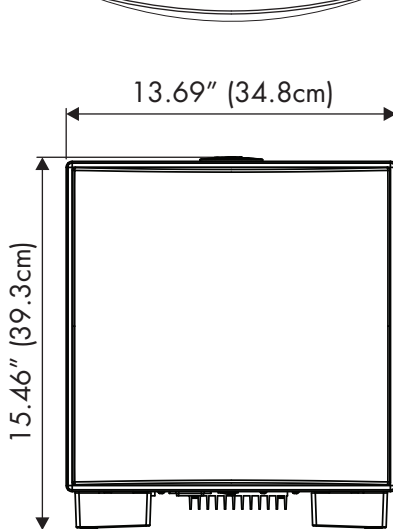
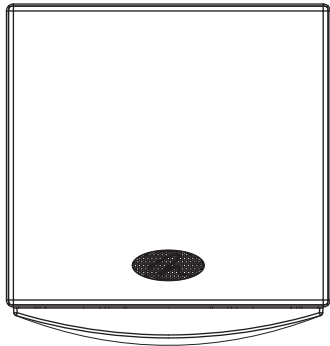
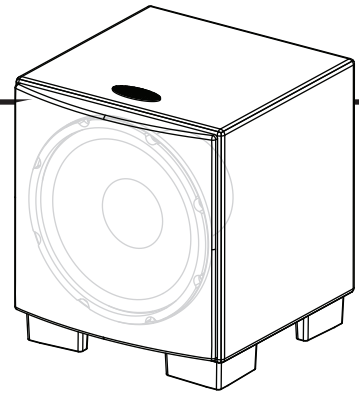


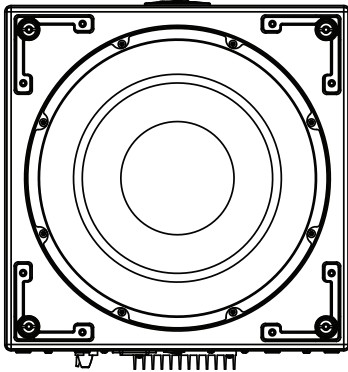
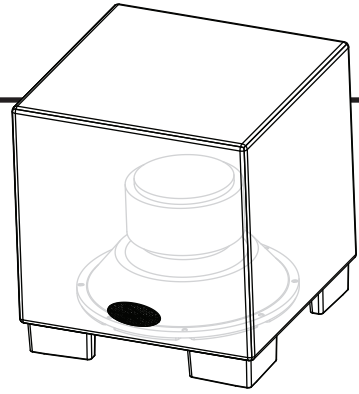






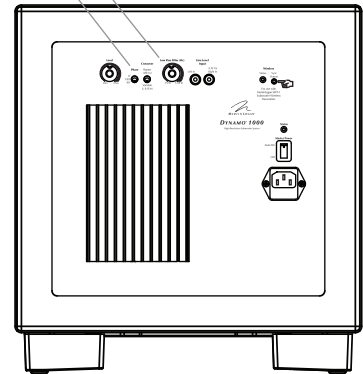
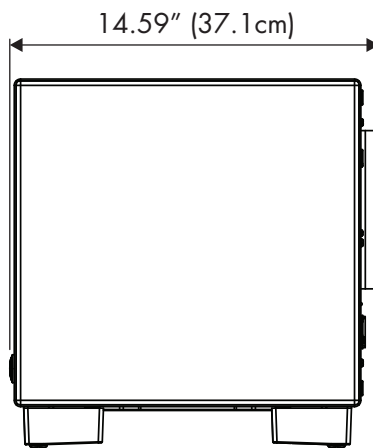
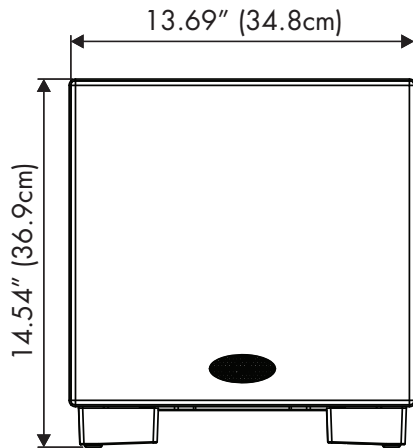






22–200Hz  $\pm$ 3dB  
500 watts (1,000 watts peak)  
34 lbs. (15.4kg)

0° / 90° / 180°  
35Hz–120Hz



**MARTIN LOGAN**  
DESIGN SERIES

©2009 MartinLogan, Ltd. All rights reserved.  
Rev. #043009