

grotto™ i

home theater subwoofer / stereo subwoofer

- Available June 2007 • Available in Black

- Servo Monitoring & Control • Simultaneous LFE & 2-Channel Connection • 300W (900W peak) Amplifier • 25Hz Level Control
- Aluminum Woofer • Precision Low-Pass Filters

From a low-distortion 300 watt (900 watt peak) switching amplifier Grotto i produces extremely articulate bass. MartinLogan's unique topology eliminates the need for exaggerated amplifier power ratings or transient-blurring ported or passive radiator enclosures common to so many subwoofers. Grotto i's proprietary servo system ensures that the woofers output is dramatically free of distortion, resulting in a faithful replica of the audio input signal.

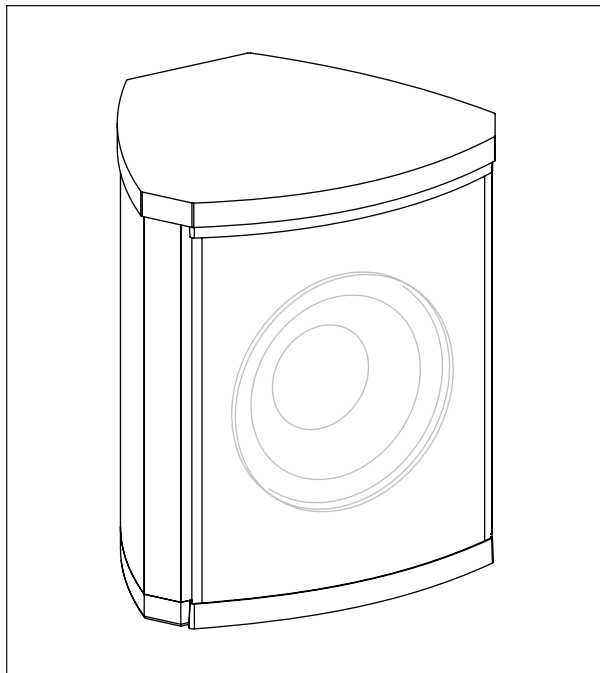
A robust connection and control systems allow simultaneous connection of both 2-channel stereo music and multi-channel home theater—and allows each source to have individual crossover and level settings. LFE input effectively uses no low-pass filter, leaving crossover control to the processor. Left/right line level and speaker level inputs integrate six

discrete audiophile grade low-pass filters between 30–80Hz allowing a different level and crossover point when playing back two channel music.

RCA output allows multiple Grotto i's to operate in serial. A unique 25Hz level control allows adjustment of system response by ± 10 dB to eliminate low-frequency build-up or suck-out at a room's most problematic bass frequencies. Proprietary ETC™ spikes couple the sub directly to the floor, minimizing lost energy and allowing tight, well defined bass.

Specifications

Frequency Response	22–120 Hz \pm 3 dB. Anechoic through the LFE effects input.
Low Pass Filter Frequencies	30, 35, 45, 55, 65, 80Hz
High Pass Filter Frequencies	70Hz
Phase	0°, 90°, 180°, 270°
25Hz Level	± 10 dB
Power	On, Auto, Standby
Components	10" (25.4cm) high-excursion, aluminum cone with extended throw driver assembly, sealed non-resonant asymmetrical chamber format
Amplifier	300W (at < 0.5% THD) 900W (peak)
Inputs	Left/Right RCA Line Level, RCA LFE, Speaker Level
Output	RCA Sub Out (all inputs summed), RCA Left/Right (with High Pass Filter)
Input Impedance	20,000 Ohms
Power Draw	Max: 250 Watts; Idle: 15 Watts; Standby: 10 Watts
Weight	51 lbs. each (23.2 kg)
Size	18.6" H x 15.2" W x 13.8" D (47.3 H x 38.6 W x 35 D cm)



MARTIN LOGAN®

the loudspeaker technology company

Lawrence, Kansas, USA tel 785.749.0133 fax 785.749.5320 www.martinlogan.com