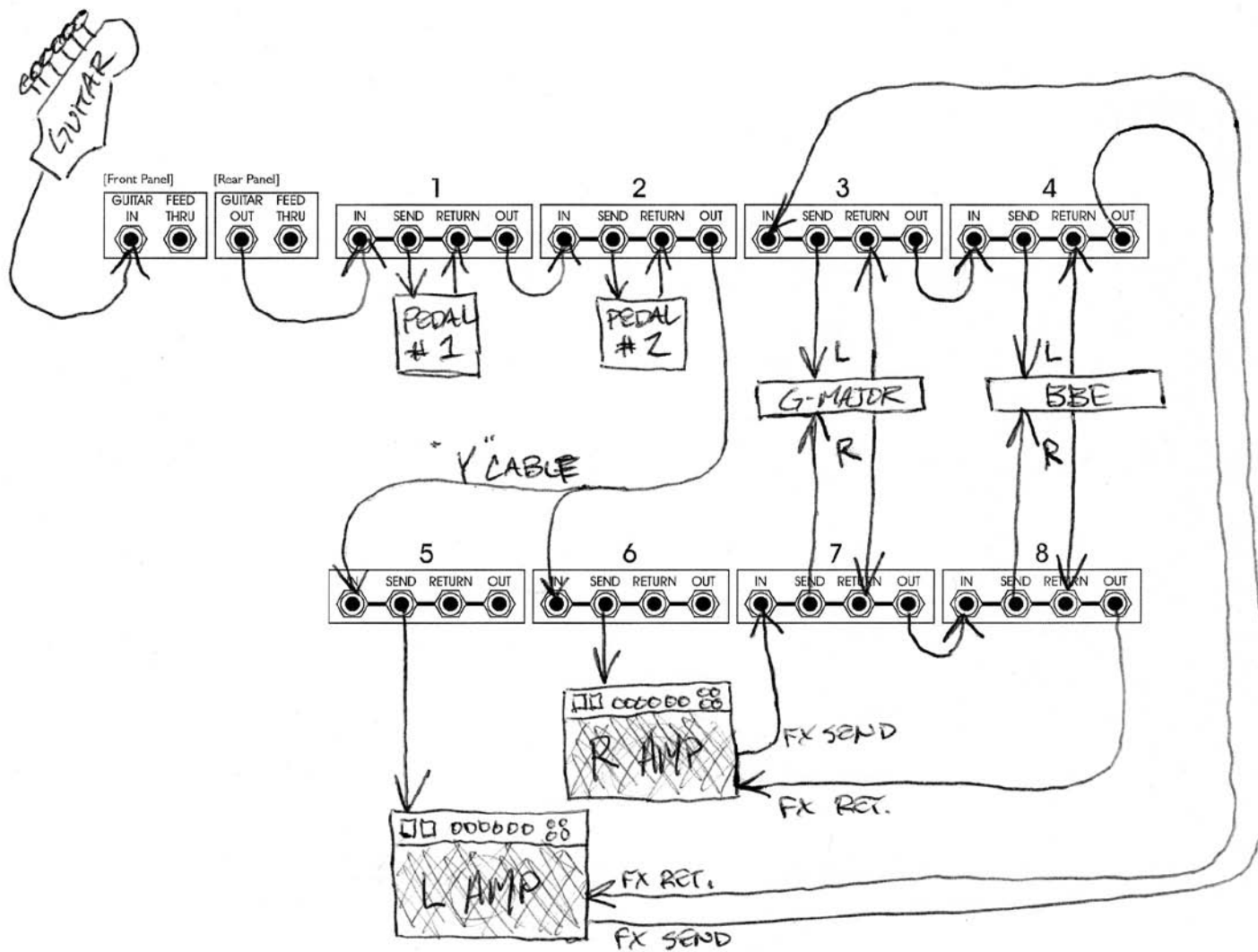


# VOODOO LAB

## GCX Worksheet

### Mono, Mono, Stereo

This setup has two pedals placed before two identical amps using a y-cable.  
Also note the stereo effects running in dual mono so each amp gets its own discreet side.



Functions:

- |         |                           |         |                              |
|---------|---------------------------|---------|------------------------------|
| Loop #1 | <u>PEDAL #1 ON/OFF</u>    | Loop #5 | <u>L AMP (PREAMP) ON/OFF</u> |
| Loop #2 | <u>PEDAL #2 ON/OFF</u>    | Loop #6 | <u>R AMP (PREAMP) ON/OFF</u> |
| Loop #3 | <u>G-MAJOR (L) ON/OFF</u> | Loop #7 | <u>G-MAJOR (R) ON/OFF</u>    |
| Loop #4 | <u>BBE (L) ON/OFF</u>     | Loop #8 | <u>BBE (R) ON/OFF</u>        |